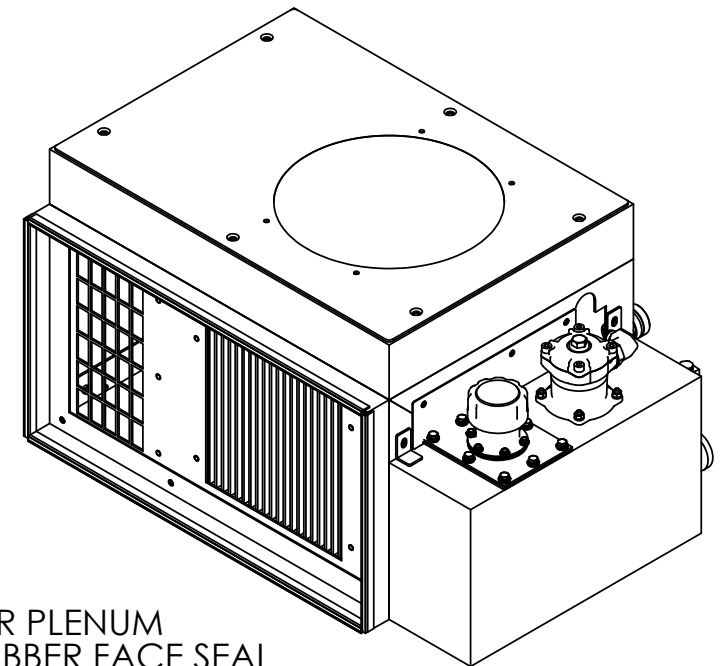
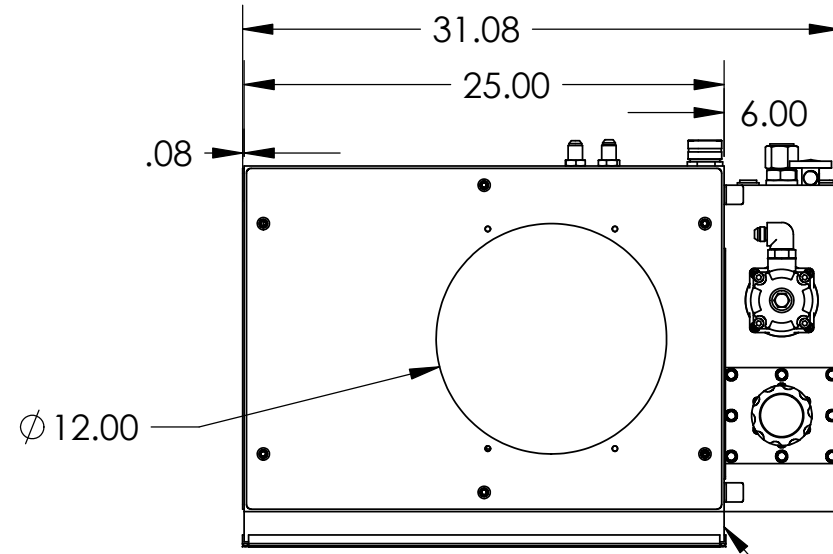


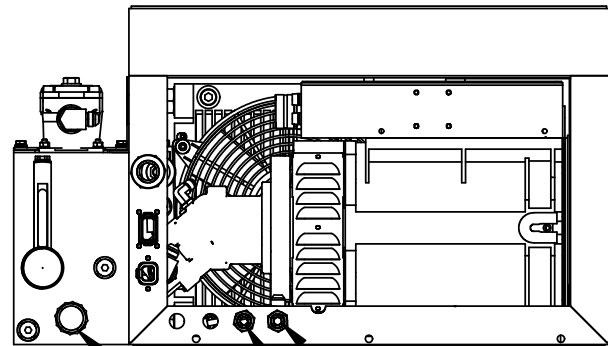
PROPRIETARY AND CONFIDENTIAL
 THE INFORMATION CONTAINED IN THIS DRAWING IS THE SOLE PROPERTY OF HARRISON HYDRA-GEN LTD. ANY REPRODUCTION IN PART OR AS A WHOLE WITHOUT THE WRITTEN PERMISSION OF HARRISON HYDRA-GEN LTD. IS PROHIBITED.

NOTE: DRAWING SHOWN WITH ATTACHED RESERVOIR, INLET AIR PLRNUM AND VERTICAL DRAFT OPTION INSTALLED
 MODEL CODE # XX.X MAS-16R/D-11011/00/1



VERTICAL EXHAUST FAN KIT

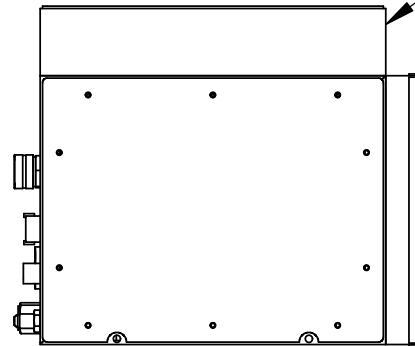
INLET AIR PLENUM WITH RUBBER FACE SEAL



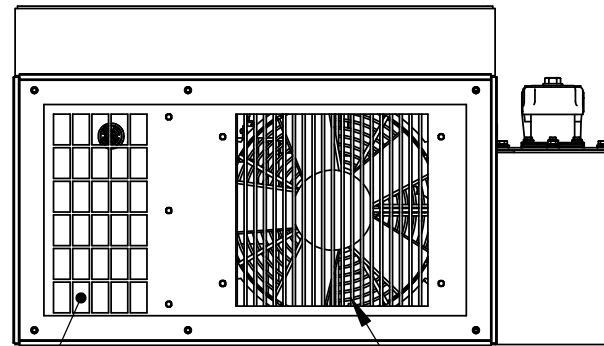
PRESSURE PORT #8 JIC FITTING

CASE PORT #8 JIC FITTING

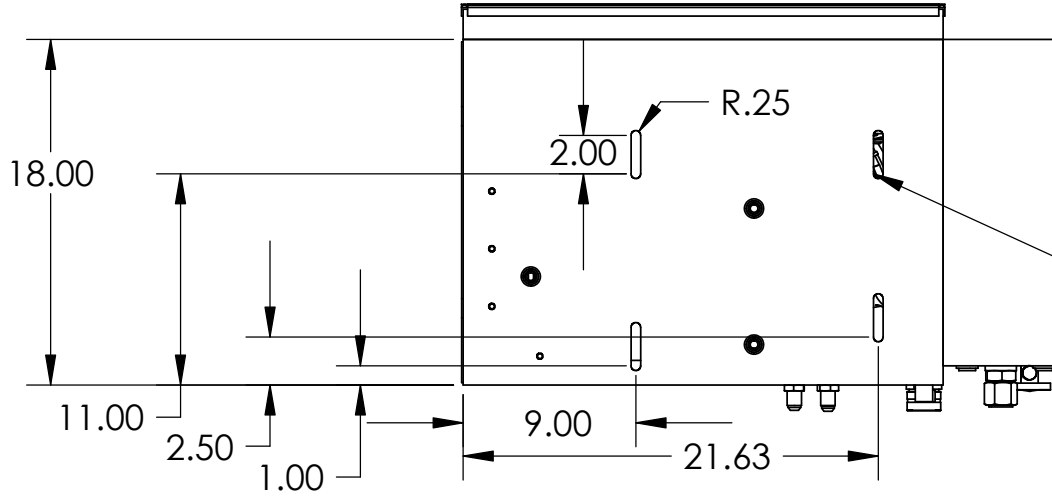
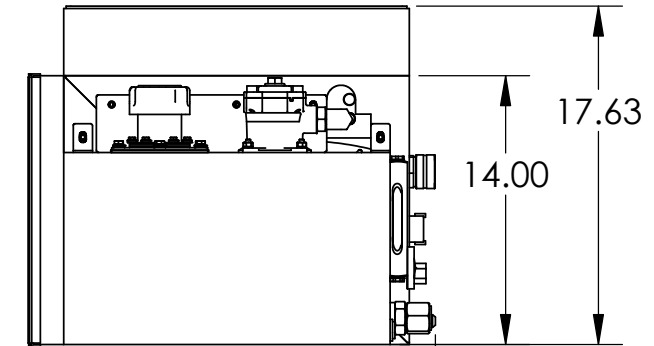
SUCTION PORT #16 JIC FITTING



ALTERNATOR FRESH AIR IN



COOLER FRESH AIR IN



MOUNTING SLOTS .5 DIA X 2.00 4 PLACES

NOTES:

REV.	DRFT	CHK	APVD	DATE	DESIGN CHANGES
B	PD	PD	PD	4-15-09	DIMENSIONAL DRAWING

UNLESS OTHERWISE SPECIFIED:
 DIMENSIONS ARE IN INCHES
 TOLERANCES:
 FRACTIONAL ± 0.015
 ANGULAR: MACH ± 0.5° BEND ± 1°
 TWO PLACE DECIMAL ± 0.01
 THREE PLACE DECIMAL ± 0.003

DO NOT SCALE DRAWING

10827 Tower Oaks Blvd. Houston, TX 77070
 Tel: (281) 807-4420 Fax: (281) 807-4815

SCALE: 1:10 SHEET 1 OF 1

HARRISON HYDRA-GEN LTD.
 TITLE: MAS DIMENSIONAL DRAWING
 PART: HU MAS-16R/XXXX/XX
 SIZE B DWG. NO. MAS-16R/D-01-B REV B