

PROPRIETARY AND CONFIDENTIAL
 THE INFORMATION CONTAINED IN THIS DRAWING IS THE SOLE PROPERTY OF HARRISON HYDRA-GEN LTD. ANY REPRODUCTION IN PART OR AS A WHOLE WITHOUT THE WRITTEN PERMISSION OF HARRISON HYDRA-GEN LTD. IS PROHIBITED.

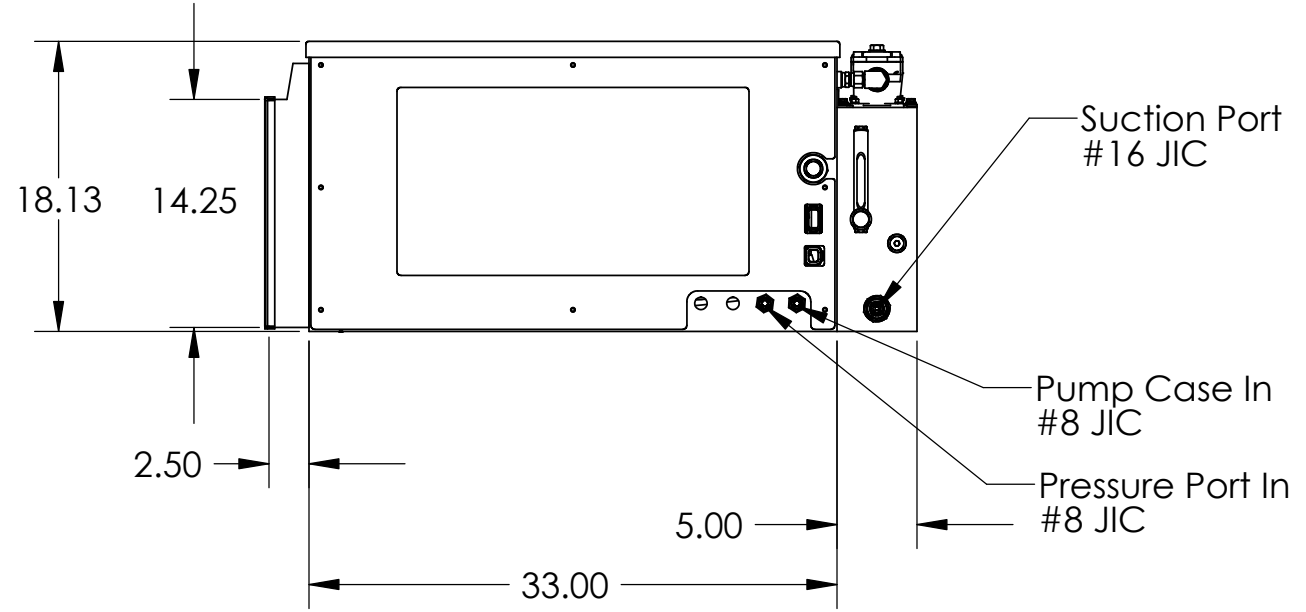
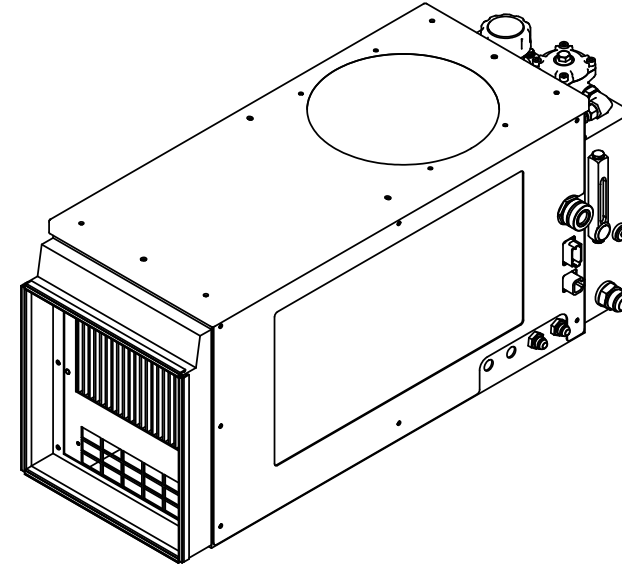
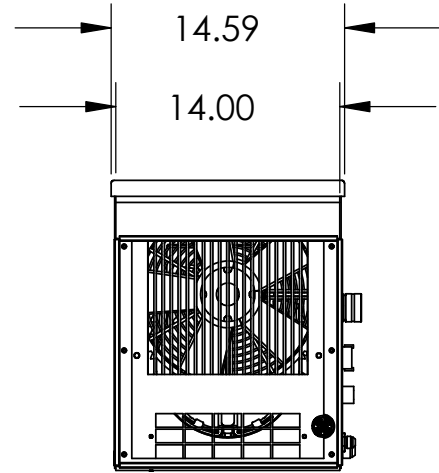
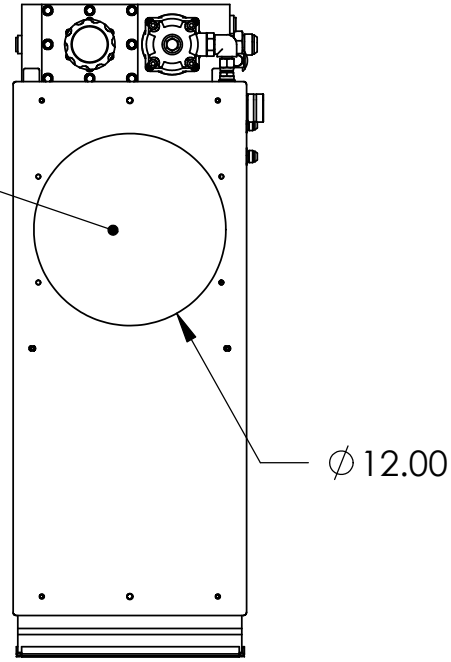
D

C

B

A

Vertical draft



D

C

B

A

NOTES:

REV.	DRFT	CHK	APVD	DATE	DESIGN CHANGES
A	PD	PD	PD	8-14-08	NEW DRAWING

UNLESS OTHERWISE SPECIFIED:

DIMENSIONS ARE IN INCHES
 TOLERANCES:
 FRACTIONAL ± 0.015
 ANGULAR: MACH $\pm 0.5^\circ$ BEND $\pm 1^\circ$
 TWO PLACE DECIMAL ± 0.01
 THREE PLACE DECIMAL ± 0.003

DO NOT SCALE DRAWING



10827 Tower Oaks Blvd. Houston, TX 77070
 Tel: (281) 807-4420 Fax: (281) 807-4815

SCALE: 1:12

SHEET 1 OF 2

HARRISON HYDRA-GEN LTD.

TITLE: MCR-C DIM. DRAWING

PART: 6-10 KW MCR-C

SIZE DWG. NO. REV
 B DM6-10-MCR-01-C A

8

7

6

5

4

3

2

1