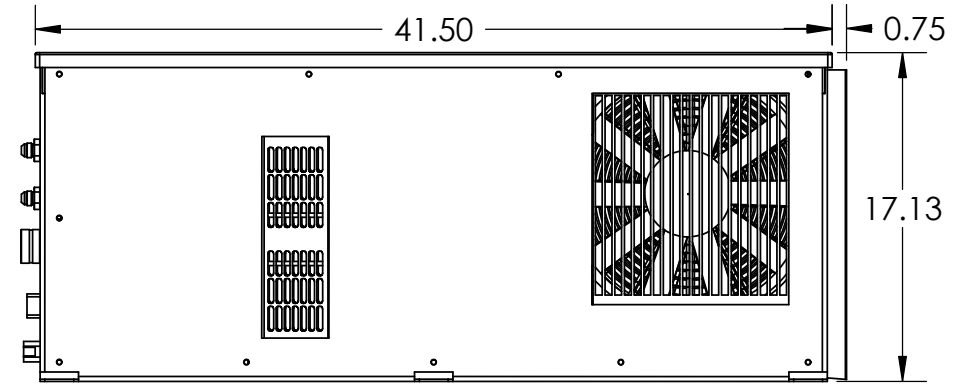
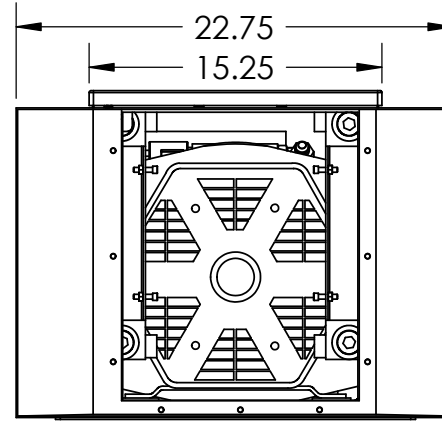
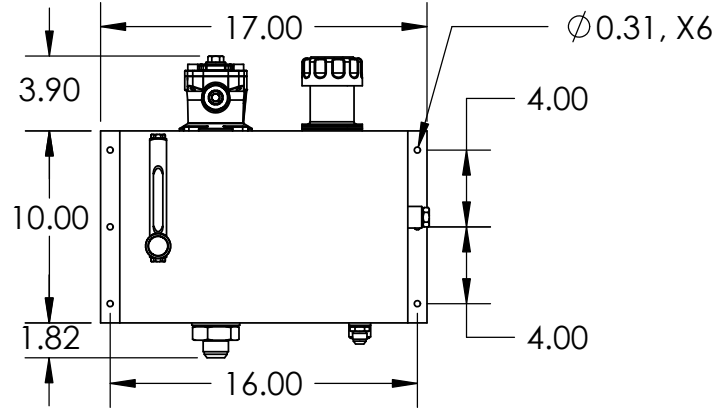
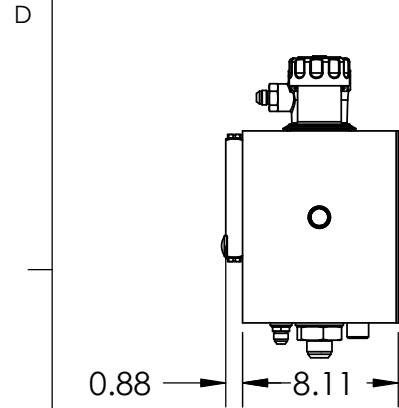


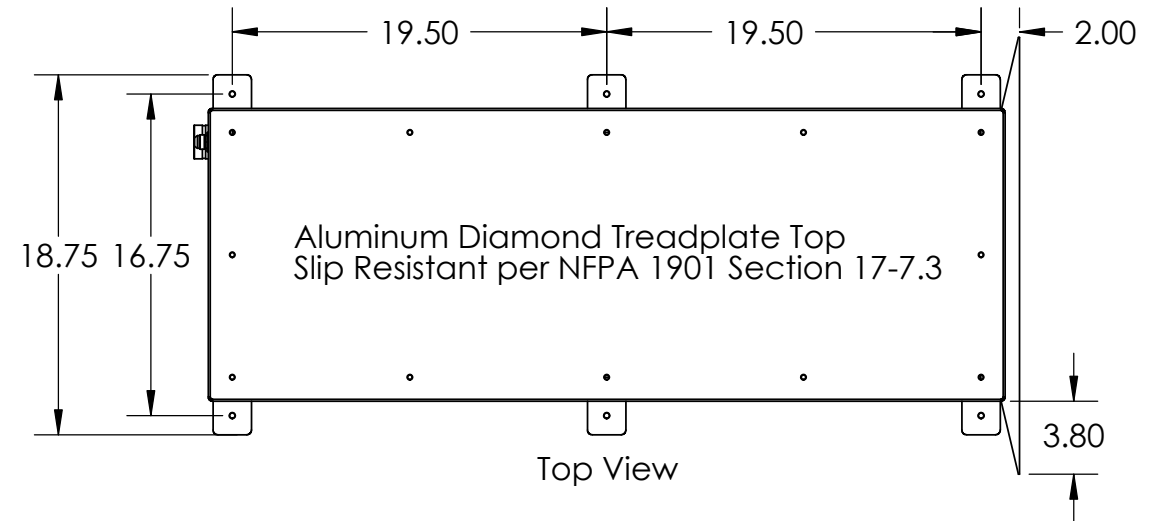
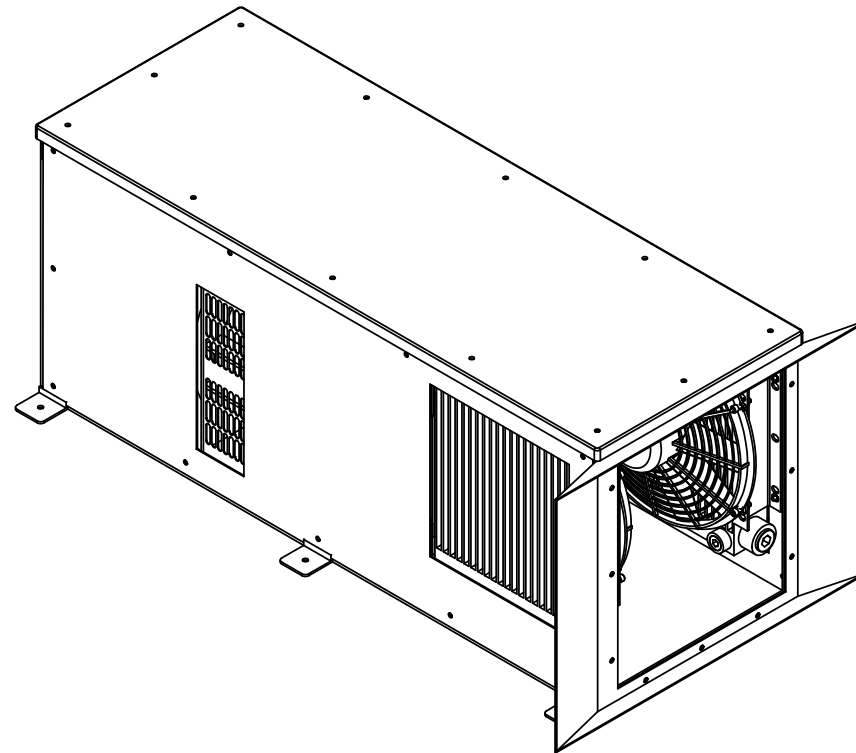
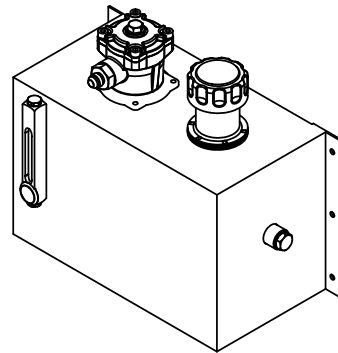
PROPRIETARY AND CONFIDENTIAL
 THE INFORMATION CONTAINED IN THIS DRAWING IS THE SOLE PROPERTY OF HARRISON HYDRA-GEN LTD. ANY REPRODUCTION IN PART OR AS A WHOLE WITHOUT THE WRITTEN PERMISSION OF HARRISON HYDRA-GEN LTD. IS PROHIBITED.



FRM & NCM Remote Reservoir

Right View (Intake)

Front View (Exhaust)



Top View

NOTES:

REV.	DRFT	CHK	APVD	DATE	DESIGN CHANGES
0	FV			Dec 16, 2005	

UNLESS OTHERWISE SPECIFIED:

DIMENSIONS ARE IN INCHES
 TOLERANCES:
 FRACTIONAL ± 0.015
 ANGULAR: MACH ± 0.5° BEND ± 1°
 TWO PLACE DECIMAL ± 0.01
 THREE PLACE DECIMAL ± 0.003

DO NOT SCALE DRAWING



10827 Tower Oaks Blvd. Houston, TX 77070
 Tel: (281) 807-4420 Fax: (281) 807-4815

SCALE: 1:10

SHEET 1 OF 1

HARRISON HYDRA-GEN LTD.

TITLE: Manual Drawing

PART: 15.0 kW NCM Assembly

SIZE DWG. NO. REV
 B NCM Manual